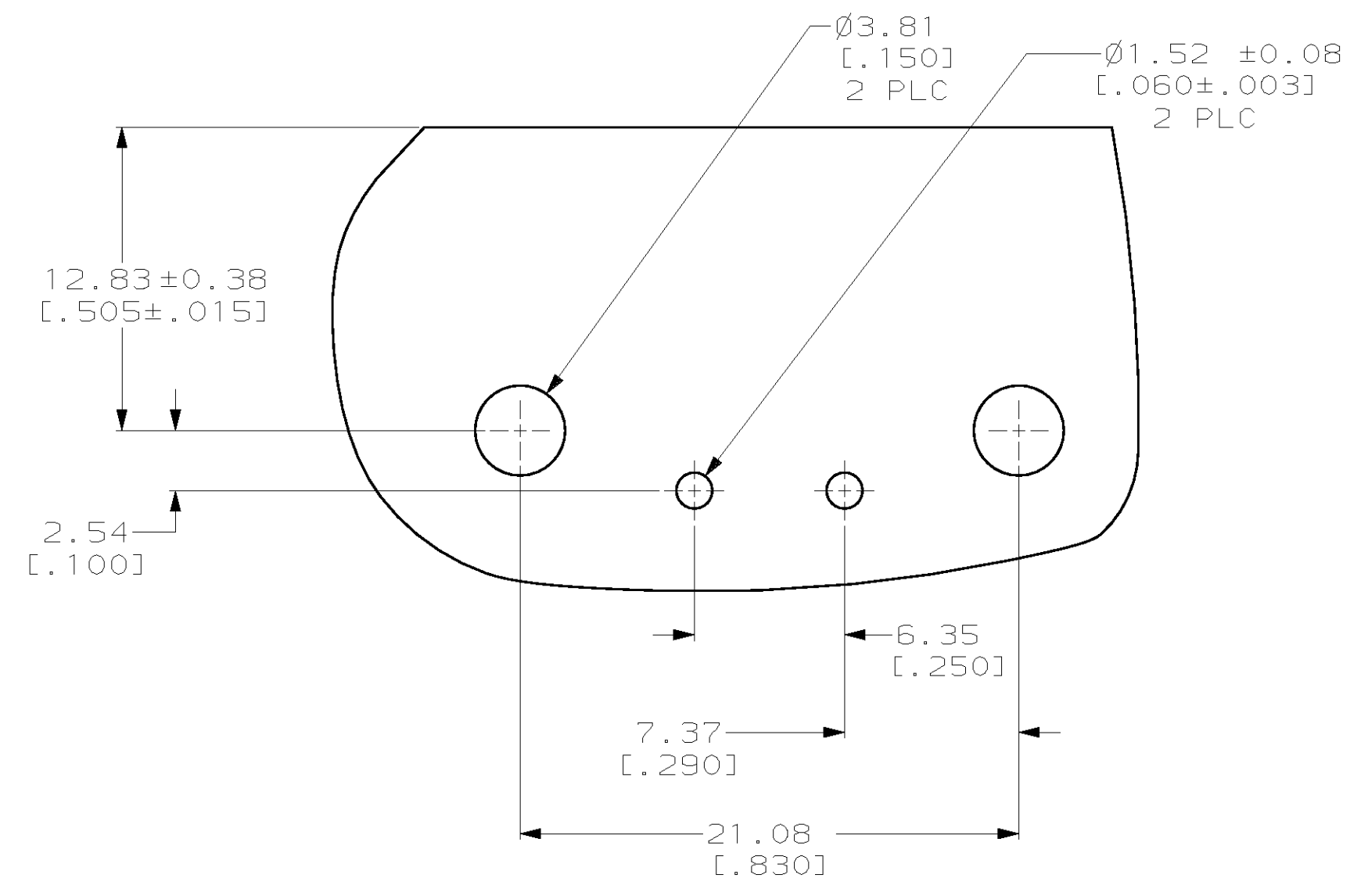
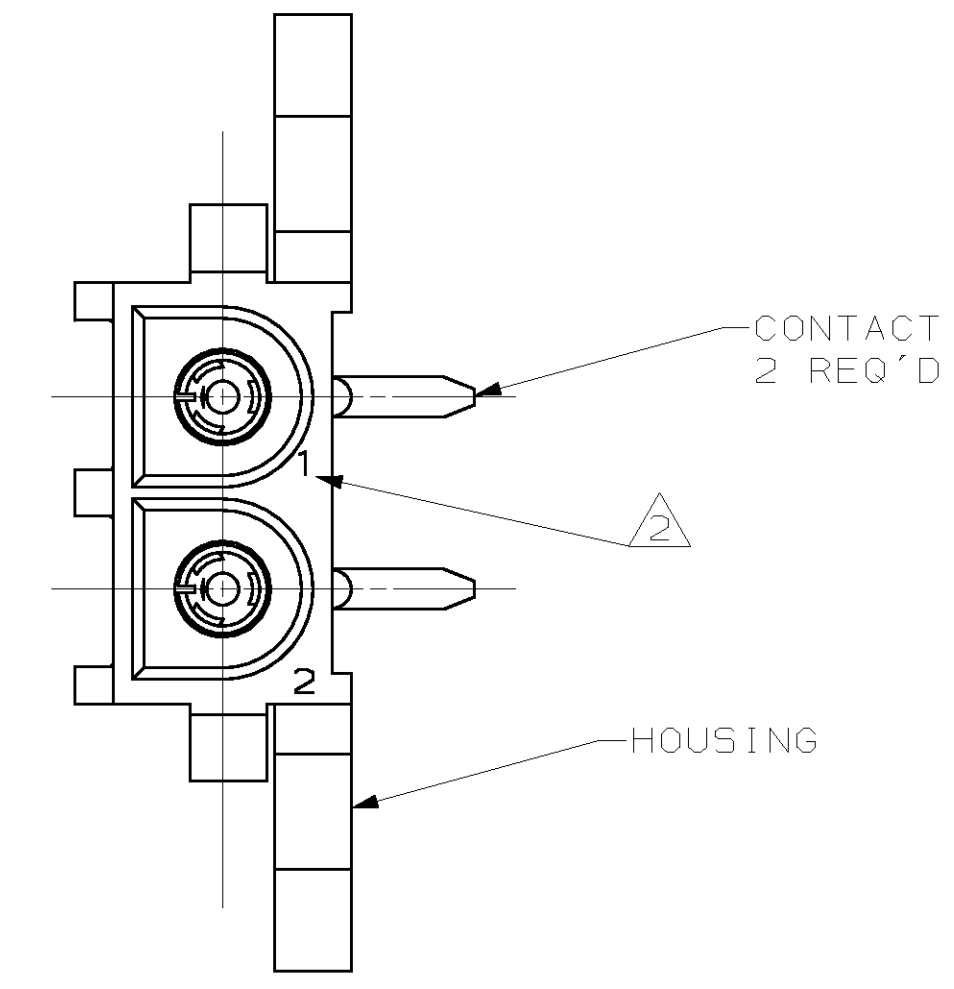
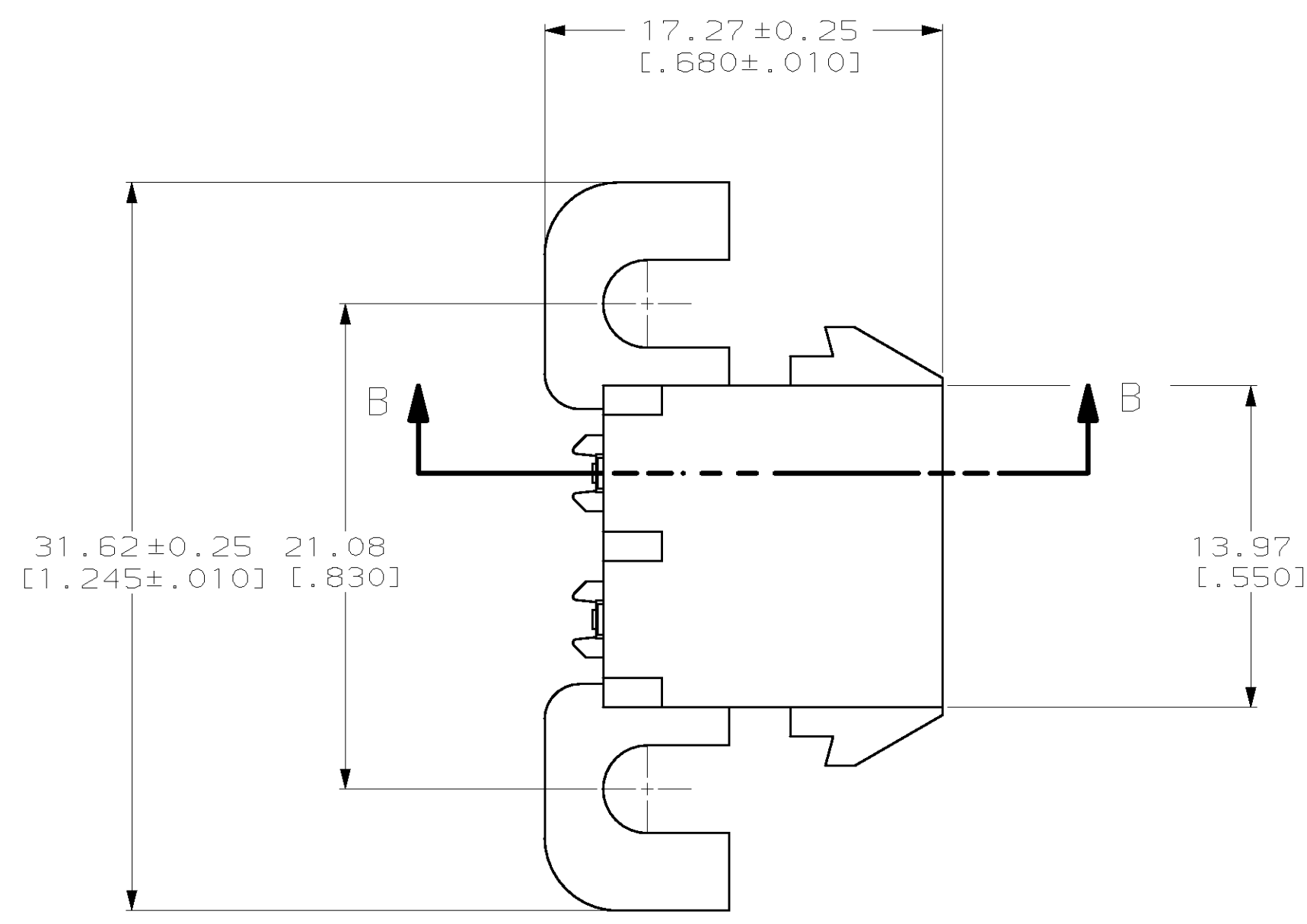
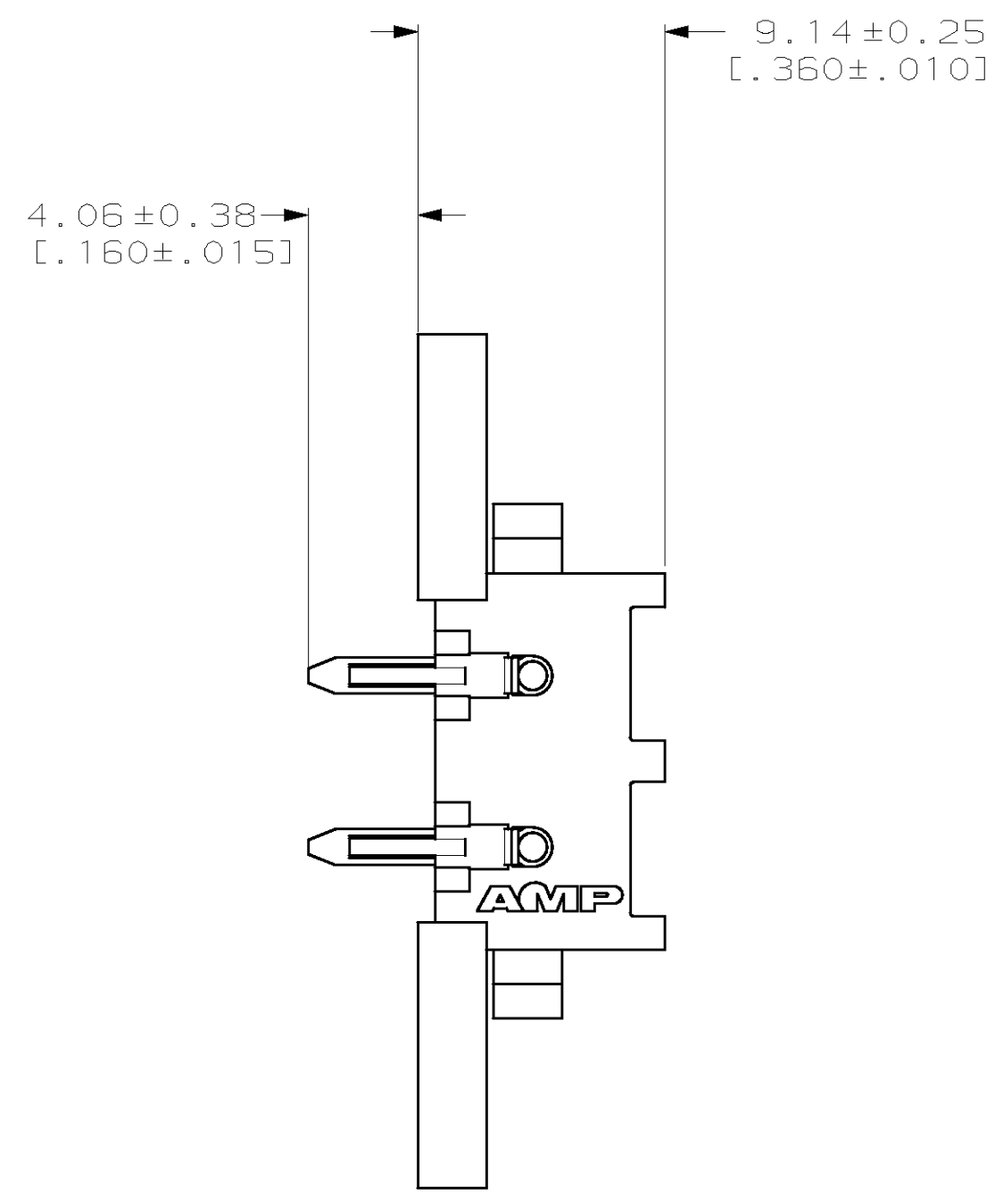
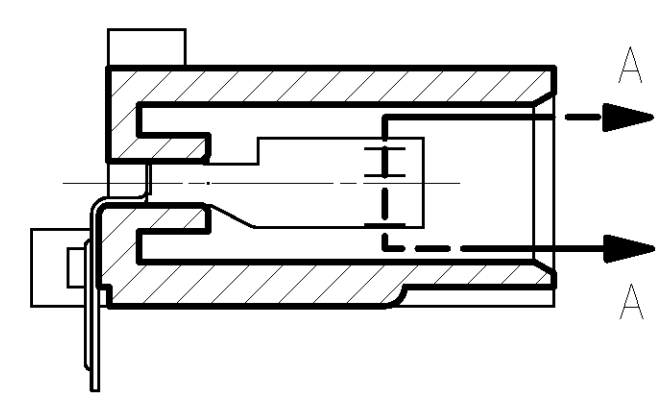


LOC	QTY	REV	DATE	BY	CHK	APPV
CM	53	B	4-30-98	BL	RS	

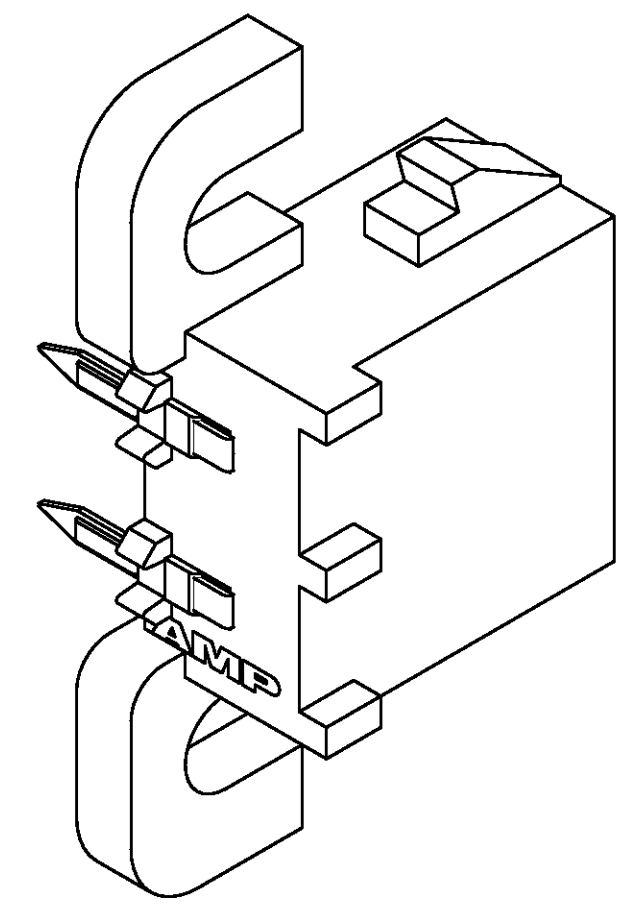
- PARTS COMPLY WITH AMP SOLDERABILITY SPECIFICATION 109-11-5.
- CIRCUIT IDENTIFICATION CHARACTERS ARE ADJACENT TO THE INDICATED CAVITIES, BUT LOCATION AND ORIENTATION MAY DIFFER FROM PRINT.
- DIMENSIONS IN BRACKETS ARE IN INCHES.



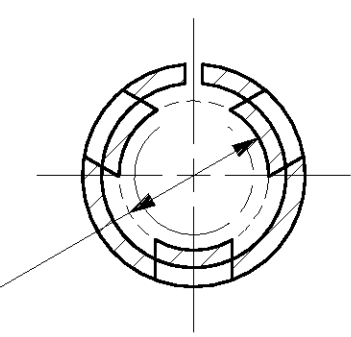
RECOMMENDED MOUNTING HOLE PATTERN FOR .062 [1.57] THICK P.C. BOARD



SECTION B-B



3-DIMENSIONAL MODEL NTS



2.03
1.91
[.080
.075]

SECTION A-A
SCALE 10:1

PH BRZ TIN	NYLON UL 94V-0	643226-1
CONTACT	HOUSING	PART NO

THIS DRAWING IS A CONTROLLED DOCUMENT.

DIMENSIONS IN INCHES	TOLERANCES UNLESS OTHERWISE SPECIFIED	OWN: B. LEWIS 4-30-98	AMP Incorporated Harrisburg, PA 17105-3608
1 PLC ± .010	2 PLC ± .005	CHK: R. SWING 4-30-98	AMP
3 PLC ± .010	4 PLC ± .010	APPV: K. CORLE 4-30-98	NAME: SOCKET HEADER ASSEMBLY, RIGHT ANGLE MOUNT, 2 POSITION, UNIVERSAL MATE-N-LOK™
MATERIAL: SEE TABLE	FINISH: SEE TABLE	SIZE: A1	SCALE CODE: 4:1
CUSTOMER DRAWING		HEIGHT: -	DRAWING NO: 643226

SCALE 4:1 SHEET 1 OF 1 REV B

METRIC